



Adaptor

for use with **IDEAL Chip-Lok™**

COB Array Holders and LEDIL Angela/Angelina, Lena/Lenina, Mirella Reflector

Installation Instructions



Models 50-2100AN, 50-2100LN
50-2100MR
50-2300AN

WARNING		
	Electrical Shock Hazard. Contact with high voltage may cause falling, serious injury, or death. Disconnect power before servicing. Never install holder without COB array.	
	Electrical Fire Hazard. Use in application exceeding voltage and current ratings listed can cause an electrical fire resulting in serious injury or death. Only use in accordance with Table 1 and local electrical wiring code.	

Screw Pattern Instructions

1. Tap two M3 threads at 39mm spacing at the angle referenced as Dimension A in the table.

Installation Instructions

1. Install the LED array and the Chip-Lok LED Array Holder into the luminaire per the Instruction Sheet supplied with the Chip-Lok COB Array Holder. (50-20 Model must use 35mm hole spacing.)
2. Find the applicable Chip-Lok holder and array combination in the table on this page.
3. Identify in the table the tabs marked with a ● or ○ and using a side cutter, cut the thin sections on either side of these tab(s). Mirella-PF Adaptor is only compatible with 50-2101CR and 50-2100NC (omit steps 3 - 5).
4. Bend tab(s) marked with a ● back and forth until removed.
5. Tab(s) marked with a ○ can be removed per instruction #4 or pivoted to optimal position.
6. Set the adaptor on the Chip-Lok holder and align with mounting holes.
7. Attach adaptor using two M3 or #4 screws torqued to 0.1 N-m.
8. Install the LEDIL reflector.

Chip-Lok™ Ledil Reflector Adaptor Breakaway Panel Configuration Matrix for 50-2100AN and 50-2100LN.

COB Array	IDEAL Holder	Remove tabs marked ●						Drill Pattern Dimension (A)
		(+)			(-)			
		1	2	3	4	5	6	
Citizen CLL020 Edison 2PHM05, 2PHM09 Seoul SDW01	50-2002CT	●	●	●	●	●	●	109°
Citizen CLL030/CLL032 Edison 2PHM16/PHM30* Seoul SDWx2/SDWx3 Lextar Nimbus 1000	50-2103CT	●	●		●	●	○	109°
Citizen CL0040/CLL042 Edison 2PHM40* Lextar Nimbus 2000/3000/5000 LG Innotek LEMWM24* Seoul SDWx4/SDWx5	50-2204CT				●			109°
Cree CXA13**	50-2000CR	●	●	●	●	●	●	109°
CREE CXA15	50-2001CR	●	●	●	●	●	●	109°
Cree CXA18	50-2101CR	●	●	●	●	●	●	109°
Cree CXA25	50-2102CR	●	●		●	●		109°
Cree CXA30	50-2234C				●			109°
Cree CXA35	50-2303CR							82° (Screw spacing, 50mm)
LG LEMWM18*	50-2100LG	●	●		●	●	○	109°
Nichia 216/360	50-2103NC	●	●		●	●	●	109°
Philips 1203 Nichia 110/121/204	50-2100NC	●	●		●	●		109°
Philips 1204, 1205, 1208 Sharp MegaZenigata	50-2100SH	●	●		●	●	●	109°

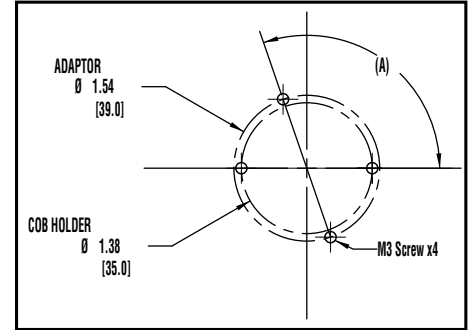
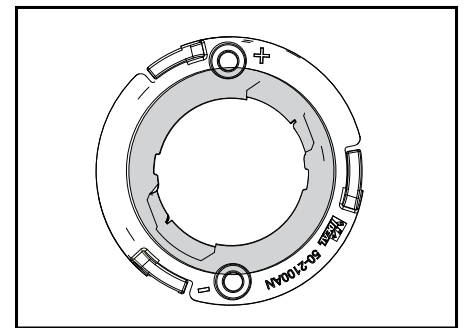
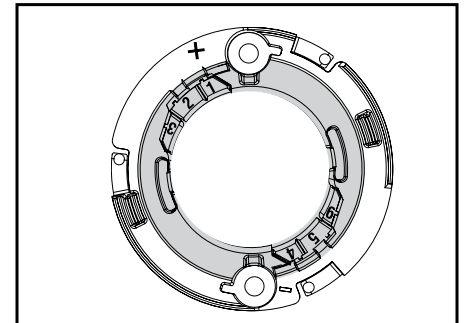


Figure 1



50-2100AN - Top View



50-2100AN - Bottom View

IDEAL INDUSTRIES, INC. ND 7934-5

Becker Place • Sycamore, IL 60178, U.S.A.
+1-800-324-9571 Customer Assistance
oem@idealindustries.com • www.idealindustries.com

IDEAL INDUSTRIES SAS

Route de Gisy, • ZA Burospace – Bât 7
F – 91571 Bievres Cedex • Bièvres, France
+33 (0) 1 69 35 54 70 • francesales@idealnwd.com

IDEAL INDUSTRIES GmbH

Gutenbergstrasse 10 • D - 85737 Ismaning, Germany
+49-89-99686-0 • germanysales@idealnwd.com

IDEAL INDUSTRIES LIMITED

Unit 3, Europa Court, Europa Boulevard
Westbrook, Warrington, WA5 7TN, United Kingdom
+44 (0) 1925 444446
electrical.enquiries@idealnwd.com

IDEAL INDUSTRIES ASIA LIMITED 美国理想工业

Tel: 86-21-31263188 Ext: 209
Address: No.61, Lane1000, Zhangheng Road, Pudong District,
Shanghai, 201203, China
地址: 上海市浦东新区张衡路1000弄61号 邮编: 201203

To use the Ledil Reflector Adaptor, a combination of breakaway panels are required to be removed. Each panel will be numbered for the end user. Panels to be removed are marked with an (●) above.

*Array has exposed live components; Class 2/SELV applications only unless LUMINAIRE provided with sufficient electrical protection.

** Optical performance is less efficient with wide versions of Ledil Angela and Lena.